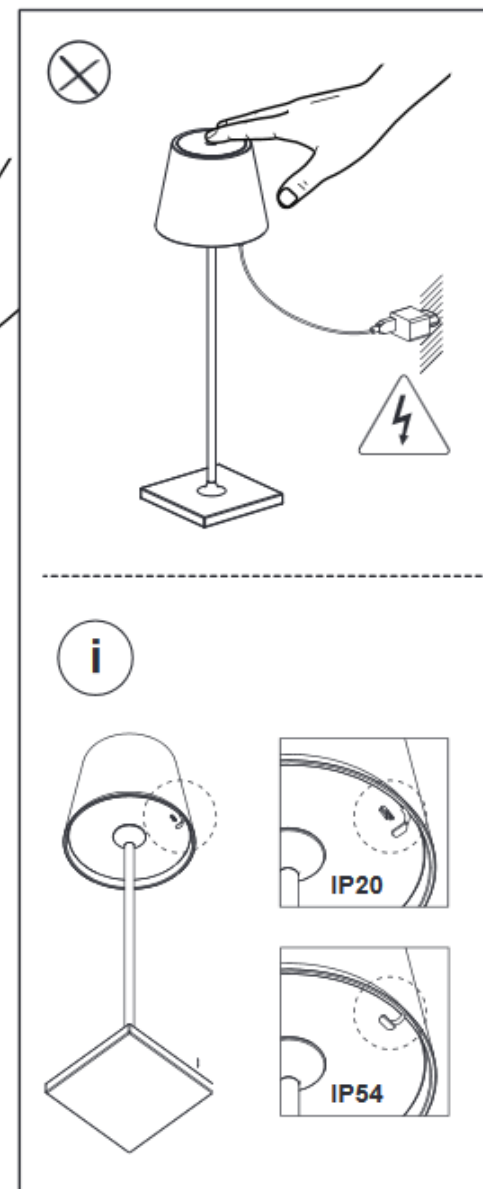
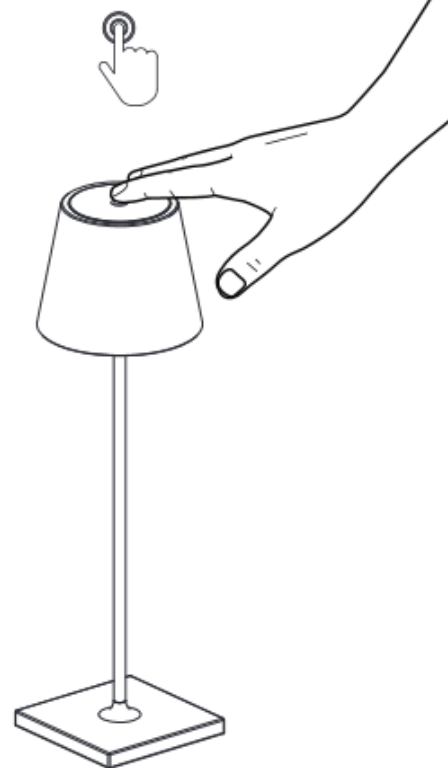


on / off  
Touch-switch



## TECHNICAL FEATURES - CARACTERÍSTICAS TÉCNICAS

SMD LED Module 3000K, 2.2W, 3.7V, 4400mA 150LM INCL		USB 5Vdc 1A charger		Operating voltage DC 3.7V	
Built-in Rechargeable Lithium Battery Non-replaceable		Max 8-9hr		Charging Battery Red indicator Full Battery Green indicator	
		Battery Capacity 18650 / 2200mAh*2			
III		IP54		ON/OFF	
Max 9hr		micro usb line 1,2m - incl		AC/DC ADAPTER INCL CLASSII, 100V-240V~50Hz/60Hz OUTPUT 5V 1A	

